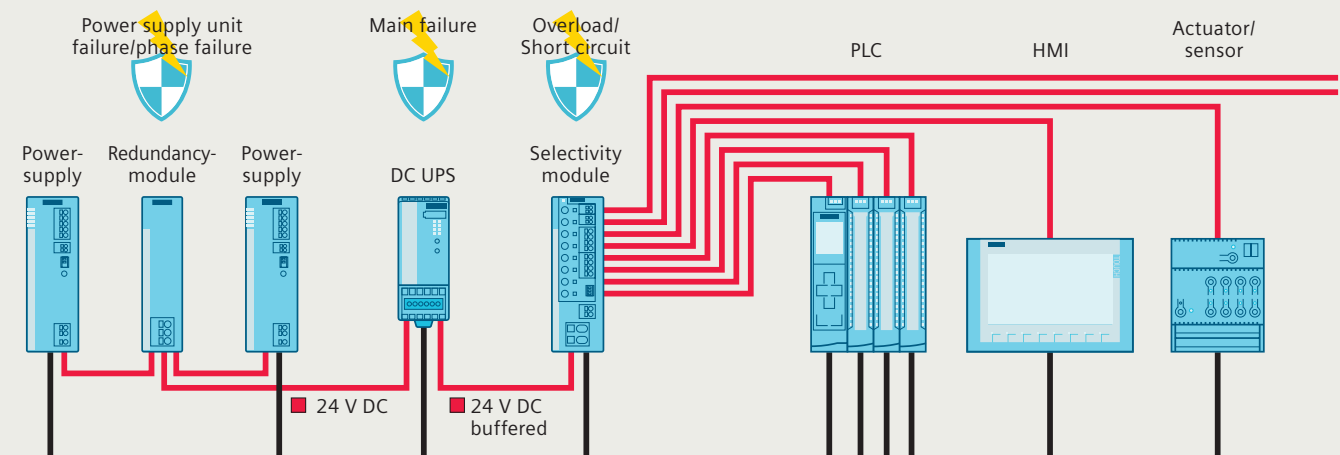


24 V DC power supply with all-round protection

SITOP PSU6200 power supplies and add-on modules
[siemens.com/sitop](https://www.siemens.com/sitop)

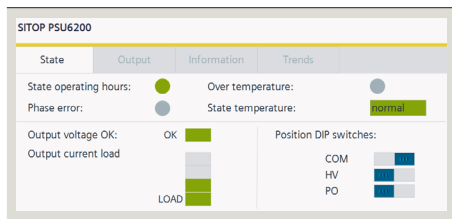
SITOP all-round protection protects your automation system from various interferences which can occur on the network and the 24 V side. This prevents that an error may bring the entire system to a standstill. SITOP DC UPS modules secure the 24 V supply even in the event of a power failure. The new add-on modules in the same attractive

design as the SITOP PSU6200 all-round power supply protect against faults on the 24 V side: Redundancy modules for safe decoupling of the power supply units in the event of a fault and selectivity modules for the electronic overload protection of individual 24 V feeders.



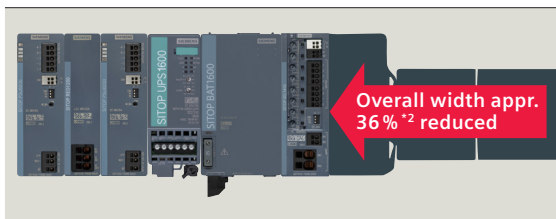
The all-around power SITOP PSU6200 and its add-on modules

Diagnostic overview



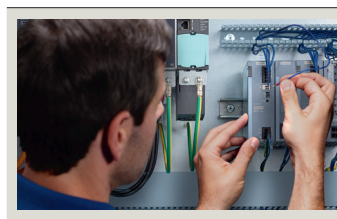
Visualization of the power supply status using diagnostic information¹ for predictive maintenance

Significant size reduction



Significantly reduced overall width compared to the combination of our conventional series²

Efficiency thanks to push-in



Push-in terminals³ for fast wiring

¹ Function of SITOP PSU6200 as of 10 A and PSU6200 48 V/5 A, SEL1200, SEL1400 or UPS1600 USB/Ethernet.

² Compared to previous products in the same category, single-phase 120–230 V AC, rated current 10 A, 8 selectively protected 24 V outputs. So far: SITOP PSU100S 24 V DC/10 A 6EP1334-2BA20 x 2, PSE202U 10 A 6EP1964-2BA00 x 2, PSE200U 4 x 10 A 6EP1961-2BA41 x 2, UPS1600 10 A 6EP4134-3AB00-2AY0, UPS1100 1.2 Ah Pb 6EP4131-0GB00-0AY0. New: SITOP PSU6200 24 V/10 A DC 6EP3334-7SB00-3AX0 x 2, RED1200 20 A 6EP4346-7RB00-0AX0, SEL1400 8 x 10 A 6EP4438-7EB00-3DX0, UPS1600 10 A 6EP4134-3AB00-2AY0, UPS1100 1.2 Ah 6EP4131-0GB00-0AY0, BAT1600 3.2 Ah Pb 6EP4133-0GA00-0AY0.

³ Only PSU6200, RED1200, SEL1200, SEL1400.



Power supplies SITOP PSU6200

Diagnostic function Compact Push-In Energy efficient

Single-phase 120–230 V AC (Input)

Output	12 V/2 A	24 V/1.3 A	24 V/2.5 A	12 V/7 A	24 V/5 A	24 V/3.7 A	24 V/10 A	12 V/12 A	48 V/5 A	24 V/20 A	48 V/10 A
Article No.	6EP3321-7SB00-0AX0	6EP3331-7SB00-0AX0	6EP3332-7SB00-0AX0	6EP3323-7SB00-0AX0	6EP3333-7SB00-0AX0	6EP3333-7LB00-0AX0	6EP3334-7SB00-3AX0	6EP3324-7SB00-3AX0	6EP3344-7SB00-3AX0	6EP3336-7SB00-3AX0	6EP3346-7SB00-3AX0
Rated input voltage	85 – 264 V AC/110 – 275 V DC			85 – 264 V AC/99 – 275 V DC			85 – 264 V AC/85 – 275 V DC				
Rated output voltage	12 V DC	24 V DC		12 V DC	24 V DC			12 V DC	48 V DC	24 V DC	48 V DC
Rated output current, Extra Power for 5 s/min	2 A –	1.3 A –	2.5 A –	7 A 10.5 A	5 A 7.5 A	3.7 A –	10 A 15 A	12 A 18 A	5 A 7.5 A	20 A 30 A	10 A 12 A
Efficiency	83.3%	86.3%	89%	87.1%	90.2%	89.3%	92.8%	89.3%	93.9%	95.5%	95.8%
Signaling contact	–			DC OK			DC OK / Diagnostics interface				
Dimensions in mm (W x H x D)	25 x 100 x 88		40 x 100 x 88	35 x 135 x 125			45 x 135 x 125			70 x 135 x 155	

Three-phase 400 V 3AC (Input)

Output	24 V/5 A	24 V/10 A	48 V/5 A	24 V/20 A	48 V/10 A	24 V/40 A	48 V/20 A
Article No.	6EP3433-7SB00-0AX0	6EP3434-7SB00-3AX0	6EP3444-7SB00-3AX0	6EP3436-7SB00-3AX0	6EP3446-7SB00-3AX0	6EP3437-7SB00-3AX0	6EP3447-7SB00-3AX0
Rated input voltage	323 – 576 V 3AC						
Rated output voltage	24 V DC		48 V DC	24 V DC	48 V DC	24 V DC	48 V DC
Rated output current, Extra Power for 5 s/min	5 A 7.5 A	10 A 15 A	5 A 7.5 A	20 A 30 A	10 A 15 A	40 A 60 A	20 A 30 A
Efficiency	91.2%	95.5%	95.6%	95.9%	96.2%	96.0%	96.6%
Signaling contact	DC OK				DC OK / Diagnostics interface		
Dimensions in mm (W x H x D)	35 x 135 x 125	45 x 135 x 155		70 x 135 x 155		95 x 135 x 155	

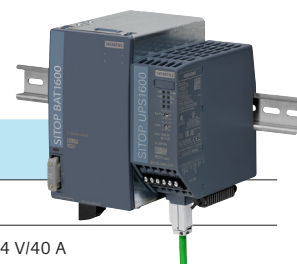
Redundancy modules SITOP RED1200		Robust	Compact	Push-In
Article No.	6EP4346-7RB00-0AX0	6EP4347-7RB00-0AX0	6EP4348-7RB00-0AX0	
Rated input voltage	10 – 58 V DC			
Rated output voltage	max. 20 A (Power supply units: 2 x 10 A or 1 x 20 A)	max. 40 A (Power supply units: 2 x 20 A or 1 x 40 A)	max. 80 A (Power supply units: 2 x 40 A or 1 x 40 A)	
Dimensions in mm (W x H x D)	35 x 135 x 125	45 x 135 x 125	45 x 135 x 155	



Selectivity modules SITOP SEL1200, SEL1400		Diagnostic function	Compact	Push-In		
Product name	SITOP SEL1200		SITOP SEL1400			
Article No.	6EP4437-7FB00-3CX0	6EP4437-7FB00-3DX0	6EP4438-7FB00-3DX0	6EP4437-7EB00-3CX0	6EP4437-7EB00-3DX0	6EP4438-7EB00-3DX0
Rated input voltage/range	10 – 58 V DC					
Outputs, rated current	4 x 10 A	8 x 5 A	8 x 10 A	4 x 10 A	8 x 5 A	8 x 10 A
Setting range	2 – 10 A	1 – 5 A	2 – 10 A	2 – 10 A	1 – 5 A	2 – 10 A
Switch-off characteristic	Switching for standard protection			Current limiting for increased safeguarding		
Signaling	3-color status LED each output, Diagnostics interface					
Dimensions in mm (W x H x D)	45 x 135 x 125					



Uninterruptible DC power supply SITOP UPS1600/BAT1600		Diagnostic function	Compact
□ · · · 1 = w/o interface, 2 = with USB, 3 = with Ethernet/PROFINET			
DC UPS module	UPS1600 24 V/10 A	UPS1600 24 V/20 A	UPS1600 24 V/40 A
Article No.	6EP4134-3AB00-□AY0	6EP4136-3AB00-□AY0	6EP4137-3AB00-□AY0
Rated input voltage	24 V DC/22 – 29 V DC		
Rated output voltage/current	24 V/10 A	24 V/20 A	24 V/40 A
Dimensions in mm (W x H x D)	50 x 125 x 125	50 x 125 x 125	70 x 125 x 150



+						
Battery module	UPS1100 for high temperatures 24 V/2.5 Ah Pb	BAT1600 24 V/2.5 Ah LiFePO4	BAT1600 24 V/3.2 Ah Pb	BAT1600 24 V/7.5 Ah LiFePO4	BAT1600 24 V/12 Ah Pb	BAT1600 24 V/38 Ah Pb
Article No.	6EP4132-0GB00-0AY0	6EP4132-0JA00-0AY0	6EP4133-0GA00-0AY0	6EP4134-0JA00-0AY0	6EP4135-0GE00-0AY0	6EP4137-0GE00-0AY0
Dimensions in mm (W x H x D)	265 x 115 x 76	89 x 156 x 129	89 x 156 x 169	238 x 156 x 129	238 x 156 x 125	394 x 212 x 165
Buffer time: ¹⁾						
Load current 1 A	1 h 30 min	1 h 40 min	2 h 9 min	8 h 30 min	6 h 28 min	30 h
Load current 2 A	50 min	50 min	1 h 13 min	4 h 20 min	3 h 39 min	16 h 40 min
Load current 4 A	26 min	20 min	39 min	1 h 50 min	1 h 57 min	8 h
Load current 10 A	6 min 40 s	4 min	16 min	40 min	49 min	2 h 50 min

¹⁾ Buffer time determination is based on the discharging time of new and completely charged battery modules with a minimum battery temperature of +25 °C until DC UPS (19 V) turns off

Additional information on SITOP:

- Operating instructions as download: [siemens.com/sitop/manuals](https://www.siemens.com/sitop/manuals)
- TIA Selection Tool: [siemens.com/tst-powersupply](https://www.siemens.com/tst-powersupply)
- Products and contact: [siemens.com/sitop](https://www.siemens.com/sitop)

**Published by
Siemens AG**

Digital Industries
Process Automation
Östliche Rheinbrückenstr. 50
76187 Karlsruhe, Germany

**For the U.S. published by
Siemens Industry Inc.**

100 Technology Drive
Alpharetta, GA 30005
United States

Article No: DIPA-T10120-02-7600
Dispo 10001
WS 02220.0
© Siemens 2022

Subject to changes and errors. The information provided in this brochure contains descriptions or performance characteristics which, in case of actual use, do not always apply as described or which may change as a result of further development of the products. The desired performance characteristics are only binding if expressly agreed in the contract. Availability and technical specifications are subject to change without notice.

All product designations may be trademarks or product names of Siemens AG or supplier companies, the use of which by third parties for their own purposes may violate the rights of the owners.